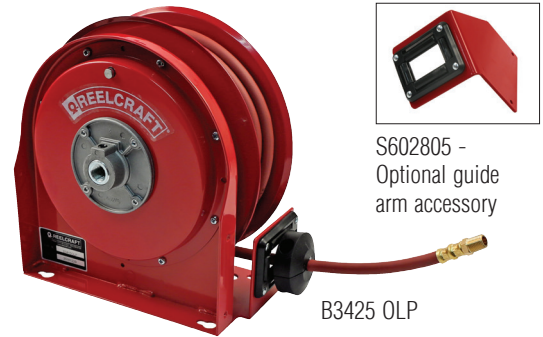


## Premium Duty Spring Retractable Hose Reels

### Series 3000 - Air/Water - 1/4", 3/8" I.D.

- Ultra-compact for a wide range of bench mount or mobile applications with critical space requirements
- Compact size - reel easily fits within a 1 ft. x 1 ft. space
- Multiple slotted mounting holes to accommodate many configurations
- Inlet located on base eliminating the possibility of hose interfering with spool operation

**NEW!**



S602805 -  
Optional guide  
arm accessory

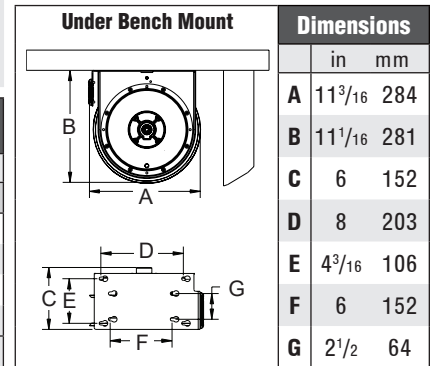
B3425 OLP

#### Additional Series 3000 Models

Cord Reels - Page 29

Model with hose & bumper	Shipping Weight		Hose I.D.		Hose O.D.		Hose Length		Max Pressure	NPT(M) Hose Outlet	NPT(F) Reel Inlet	NPT(F) Reel Outlet	
	lbs	kg	in	mm	in	mm	ft	m					
<b>Low Pressure Air / Water Hose Reels</b> Maximum temperature 150 °F (65 °C)													
B3425 OLP	18	8.2	1/4	6	.475	12	25	7.6	300	21	1/4	3/8	3/8
B3610 OLP	17	7.7	3/8	10	.600	15	10	3.0	300	21	1/4	3/8	3/8
B3620 OLP	18	8.2	3/8	10	.600	15	20	6.1	300	21	1/4	3/8	3/8
S602805	1.1	0.5	Optional guide arm accessory for multiple adjustment positions										

Low pressure reels furnished standard with PVC hose.



## Premium Duty Spring Retractable Reels

### Series 4000 - Air/Water - 1/4", 3/8" I.D.



- Compact for a wide range of applications with critical space requirements
- Guide arm adjusts to two positions
- Inlet hose is plumbed into the base to eliminate the risk of stress on the swivel

#### Additional Series 4000 Models

Cord Reels - Page 29-32

Single Line Welding Reels - Page 34

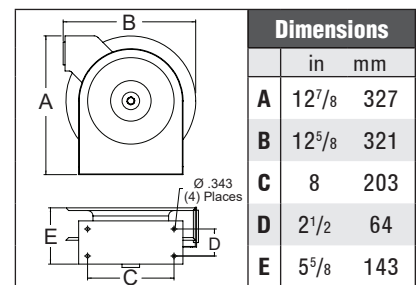


4625 OLP

Series 4000 reels include a speed latch mechanism that uses a cam and disc for quiet operation. Series B4000 reels includes a ratchet latch mechanism that produces a distinct "clicking" noise while in use.

Model with hose & bumper	Shipping Weight		Hose I.D.		Hose O.D.		Hose Length		*Max Pressure	NPT(M) Hose Outlet	NPT(F) Reel Inlet	NPT(F) Reel Outlet	
	lbs	kg	in	mm	in	mm	ft	m					
<b>Low Pressure Air/Water Reels</b> Maximum Temperature 150 °F (65 °C)													
4420 OLP	18	8	1/4	6	.475	12	20	6	300	21	1/4	3/8	1/4
4425 OLP	19	9	1/4	6	.475	12	25	8	300	21	1/4	3/8	1/4
B4425 OLP	19	9	1/4	6	.475	12	25	8	300	21	1/4	3/8	1/4
4435 OLP	19	9	1/4	6	.475	12	35	11	300	21	1/4	3/8	1/4
4615 OLP	19	9	3/8	10	.600	15	15	5	300	21	1/4	3/8	1/4
4617 OLP	19	9	3/8	10	.600	15	17	5	300	21	1/4	3/8	1/4
4625 OLP**	20	9	3/8	10	.600	15	25	8	300	21	1/4	3/8	1/4
B4625 OLP	20	9	3/8	10	.600	15	25	8	300	21	1/4	3/8	1/4

Low pressure reels supplied standard with PVC hose. See operating instructions for optimum mounting configuration. \*Maximum working pressure at 70 °F (20 °C) \*\*Side mount configuration available; visit reelcraft.com for more information.



**Interactive  
Reel Catalog**

Visit [reelcraft.com/catalog](http://reelcraft.com/catalog) for complete product specifications, available parts, and accessories.



**Pivot Bases &  
Swing Brackets**  
See page 43

Model without hose & bumper	Shipping Weight		Hose Capacity			Max Pressure	NPT(F) Reel Inlet	NPT(F) Reel Outlet				
	lbs	kg	I.D.	O.D.	Length							
<b>Low Pressure Air/Water Reels</b> Maximum Temperature 210 °F (99 °C)												
4400 OLP	17	8	1/4	6	.475	12	35	11	500	35	3/8	1/4
4600 OLP	17	8	3/8	10	.600	15	25	8	500	35	3/8	1/4